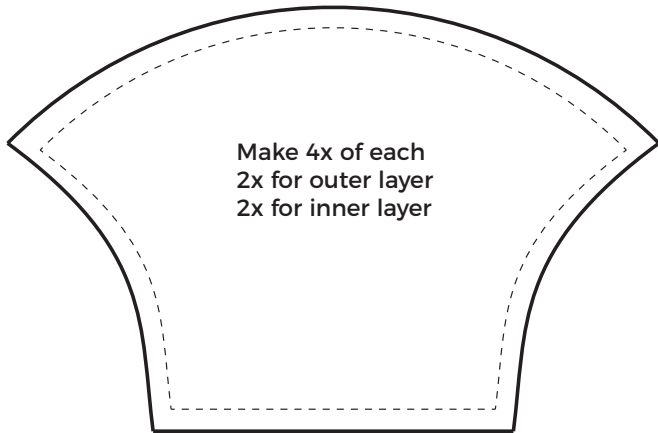
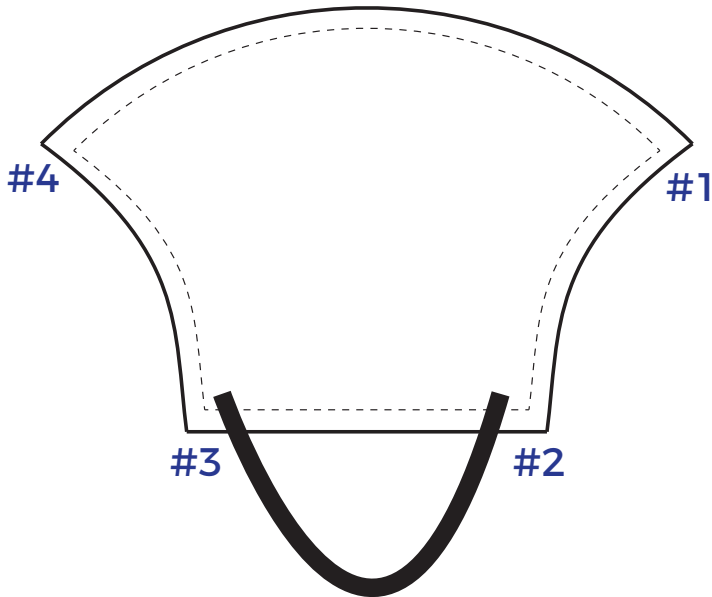


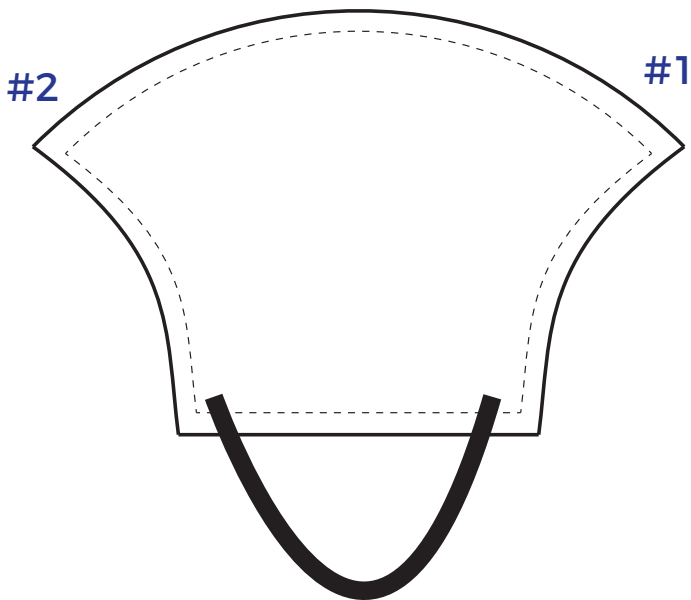
# Mask Force Face FAST Mask Instructions



- 1) Put 2x pieces together with face of fabric facing each other
- 2) dotted line is the seam =  $\sim 1/4$ "  
fold over each edge and sew shut to create hemmed edge
- 3) Also cut lengths of elastic for step two
  - a) Large = 8"
  - b) Medium = 7"
  - c) smaller = 6"You can also cut the whole mask about  $1/2$ " smaller all around to make a child's mask, then use 6" elastic



- 1) After folding seam over, start sewing at corner #1
- 2) sew folded seam along edge from #1 to #2
- 3) Turn face mask piece 90 degrees so #2 edge is straight
- 4) Put end of elastic on top of folded seam at point #2 and and sew it on. Repeat with other end of elastic at point #3
- 5) Now you have a U shaped curve of elastic between #2 & #3
- 6) Turn piece the other 90 degrees and sew till #4



- 1) Repeat for the other pair of pieces, you now have 2x sewn together halves of a mask
- 2) Put each half together with the FRONT touching each other So that you can see the seams on EACH side. (so when you flip it outside in the smooth side is showing)
- 3) Now simply sew the large front curves together from #1 to #2 WITHOUT ANY FOLD to the seam.
- 4) Flip the mask inside out so the smooth side is facing out
- 5) Fold face mask in half and Sew a 'top edge' along the front curve to flatten the inside edge and produce a super thin ridge